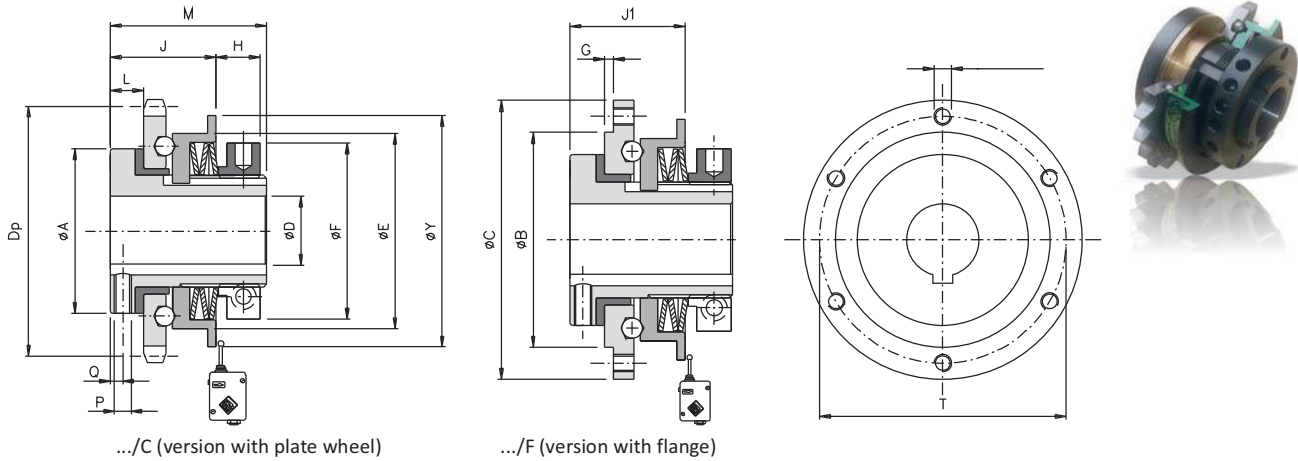


## EDF/F (economic ball torque limiter): technical data



.../C (version with plate wheel)

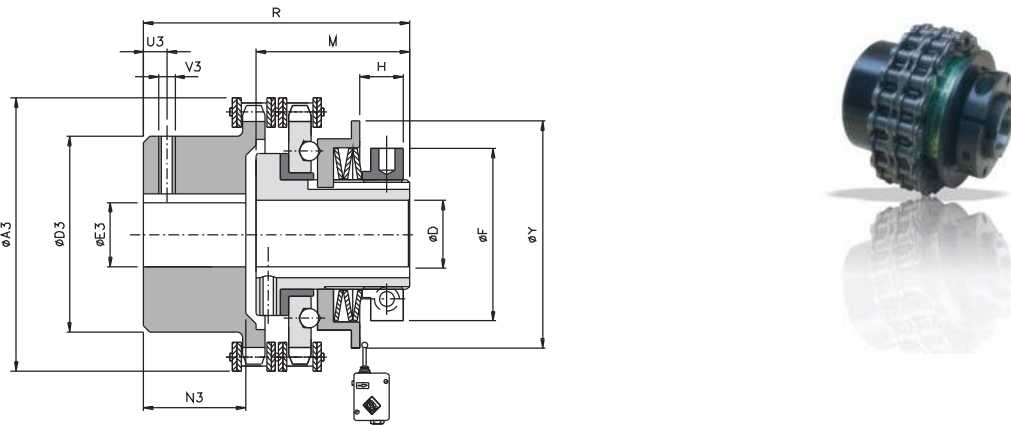
.../F (version with flange)

### DIMENSIONS AND TECHNICAL DETAILS

Size	Torque [Nm]	A	B h7	C	D H7		E	F	G	J1	K	L	M	P	Q	T	Y	Standard platewheel			Max. speed [Rpm]	Weight [Kg]
					Pilot bore	max.												lead	Dp	J		
00.38	7,5 - 30	30	35	52	-	12	38	35	1	21	M4	6	33	M3	2	44	48	3/8" Z16	48,82	20,5	1900	0,2
0.50	8 - 70	40	50	68	-	20	50	42	1,5	26	M5	8	42	M4	3	58	63	3/8" Z20	60,89	24,5	1400	0,5
1.70	15 - 155	59	65	90	-	25	70	63	2	36	M5	11	55	M6	4	80	83	1/2" Z22	89,24	34	1200	1,3
2.90	60 - 290	72	85	112	-	38	90	82	2	40	M6	12	61	M6	4,5	100	103	3/4" Z18	109,71	40	1000	2,4
3.115	50 - 580	89	110	140	18	45	115	104	2	51	M8	14	71	M6	5,5	125	128	1" Z17	138,22	53	800	4,1
4.140	180 - 1450	104	135	174	24	55	140	128	2	57,5	M10	15	86	M8	5,5	155	153	1" Z20	162,38	58,5	650	6,9

▲ On request

## .../TAC (version with chain coupling): technical data



### DIMENSIONS AND TECHNICAL DETAILS

Size	Torque [Nm]	D H7		F	Y	M	R	A3	D3	E3 H7		N3	U3	V3	Max. speed [Rpm]	Weight [Kg]
		Pilot bore	max.							Pilot bore	max.					
00.38	7,5 - 30	-	12	35	48	33	60	58	37	10	20	20	5	M3	1900	0,6
0.50	8 - 70	-	20	42	63	42	67	75	50	12	28	19	8	M4	1400	1,0
1.70	15 - 155	-	25	63	83	55	91	101	70	16	38	29	8	M4	1200	2,9
2.90	60 - 290	-	38	82	103	61	107	126	89	20	55	38	12	M6	1000	6,1
3.115	50 - 580	18	45	104	128	71	136	159	112	20	70	56,5	12	M6	800	9,5
4.140	180 - 1450	24	55	128	153	86	156	184	130	28	80	59,5	15	M8	650	20

▲ On request

### NOTES

- ⊗ **Technical details:** data is relevant to the whole group (EDF/F – EDF/F/TAC).
- ⊗ **Technical details:** weights are relevant to the whole group with pilot bore (EDF/F – EDF/F/TAC).

# ECONOMIC BALL TORQUE LIMITER "EDF/F": introduction



- Reduced torsional backlash by ball drive.
- Maintenance free for long lasting, high reliability.
- Possibility to add a microswitch or proximity for transmission disconnection.
- Version with 360° phase re-engagement available.
- Mounting of the transmission gear inside the device similar to the friction torque models.
- The innovative regulation by the "H" dimension allows for immediate calibration.
- Model available only with finished bore.
- Torque range from 7,5 to 1450 Nm and max. finished bore ø55 mm.
- Model with flange and personalized connections: EDF/F/F.

### ON REQUEST

- Connections with bore, locking assembly or other locking systems available.
- Personalized version with re-engagement in phase at 30°, 45°, 60°, 90°..

	EDF/F: basic model for drive with platewheel, pulley, flange with parallel shafts	from 7,5 to 1450 Nm max. bore ø55 mm	Page 15
	EDF/F/TAC: in-line shaft connection, simple and economic.	from 7,5 to 1450 Nm max. bore ø80 mm	Page 15

## MAIN APPLICATIONS

- Filling machines, metal chip conveyors.
- Automatic conveyor belts.
- Winches.

## ADVANTAGES AND BENEFITS

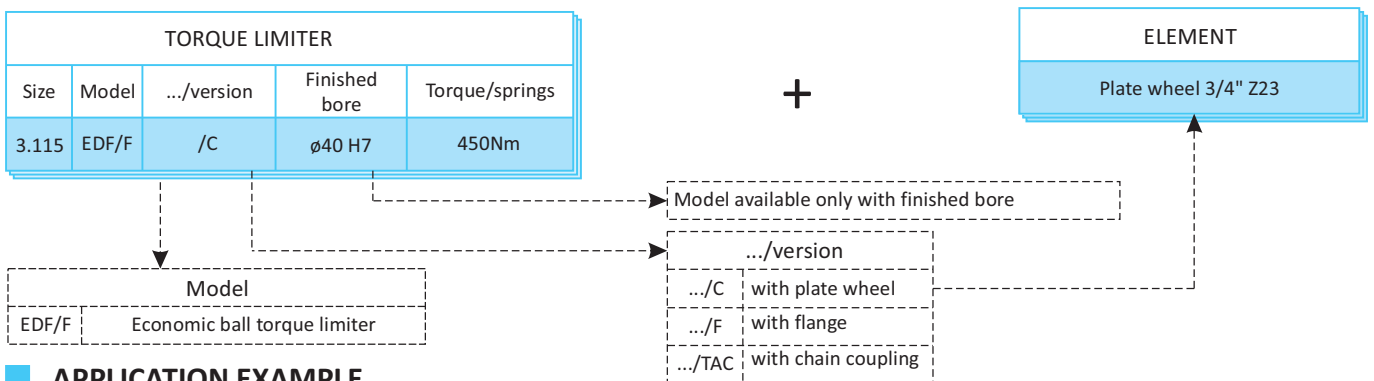
- Protects the product from damage or wrong positioning.
- Protects the transmission from overload.
- Protects conveyor belts in case of product collisions.

## TORQUE TRANSMISSION

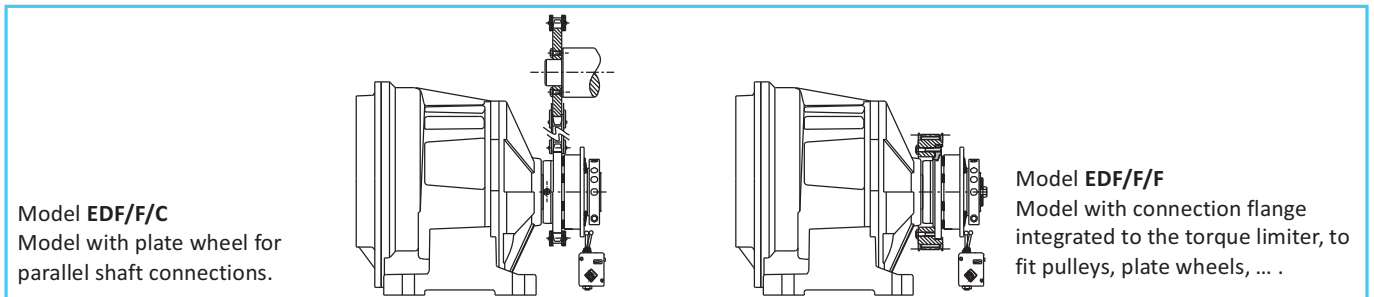
Torque transmission [Nm] relevant to the springs configuration						
Side	A3S1 )()	A4S1 )()	A4S2 )()	A3M1 )()	A4M1 )()	A3G1 )()
00.38	7,5 - 15		14,5 - 30			
0.50		8 - 24			15 - 40	40 - 70
1.70		15 - 45		30 - 100		60 - 155
2.90				60 - 150		140 - 290
3.115		50 - 155 *		145 - 385		215 - 580
4.140	180 - 345 *			320 - 620 *		550 - 1450

## ORDER EXAMPLE

\* Until stocks are finished



## APPLICATION EXAMPLE

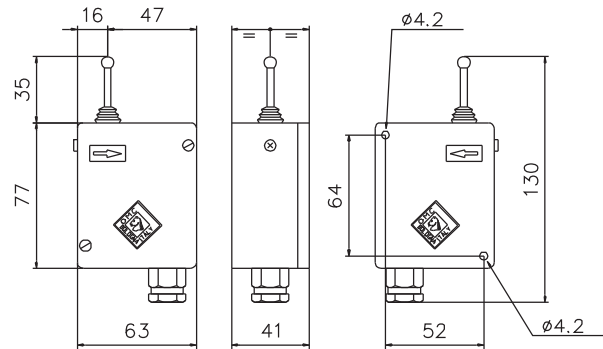
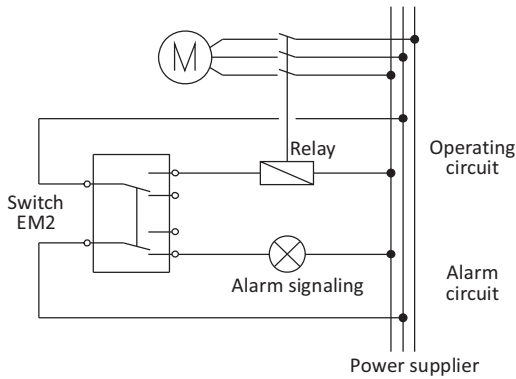
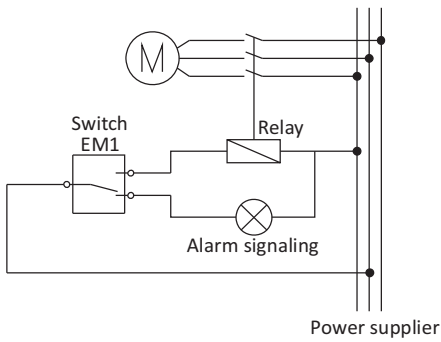


Model EDF/F/C  
Model with plate wheel for parallel shaft connections.

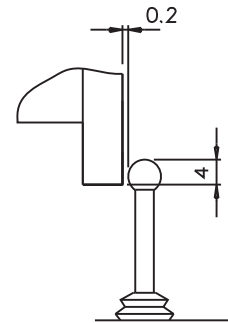
Model EDF/F/F  
Model with connection flange integrated to the torque limiter, to fit pulleys, plate wheels, ...

# ELECTROMECHANICAL SWITCH "EM1"

- Die-cast aluminium box with rotection level **IP57** DIN 40050.
- Adjustment of the lever end position possible.
- Operation temperature range from  $-10^{\circ}\text{C}$  to  $+85^{\circ}\text{C}$ .
- Three different options of voltage input: 15A-250VCA; 5A-24VCC; 0,2A-250VCC.
- 1 or 2 contacts available.
- Initial stroke 0,5 mm, Extra stroke:  $4 \div 8$  mm depending on setting (possible in a range of 6 mm).

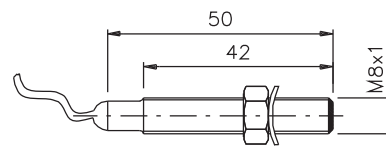
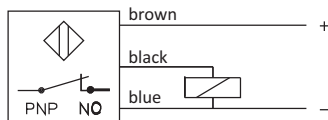
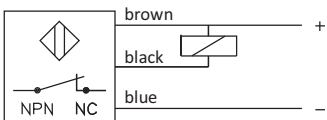
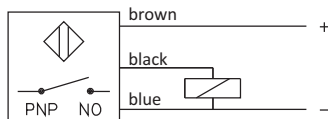
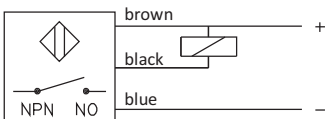


Weight: 350g



# PROXIMITY SENSOR "PRX"

- Standard version: Brass cover with protection level **IP67** DIN 40050.
- Electric contact:  $5 \div 24$  VdC.
- Frequency: 2000 Hz.
- Output: NPN (N.O.-N.C.) – PNP (N.O.-N.C.).
- Operating distance: max 1 mm.
- Cable length: 2 m (3x0,2).



Weight: 50g

