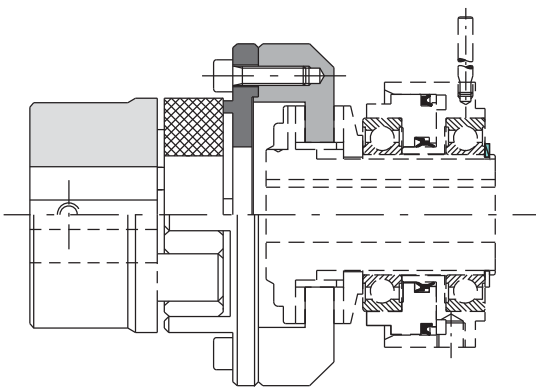


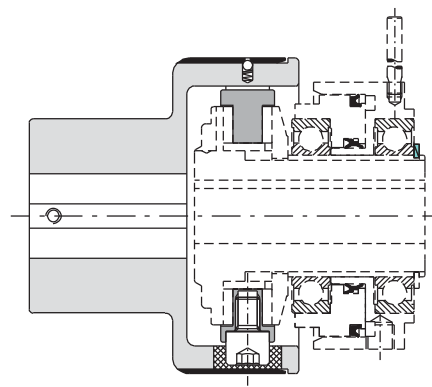
DIMENSIONS AND TECHNICAL DETAILS

Size	Torque [Nm] 1 - 6 - 10 bar	A3	D3	E3 H7		N3	D H7 max.	F	R	U3	V3	Max. speed [Rpm]	Weight [Kg]
				pilot bore	max.								
0.50	3 - 13 - 20	75	50	12	28	19	19	56	84	8	M4	7600	0,6
1.70	6 - 43 - 70	101	70	16	38	29	25	90	117	8	M4	5450	1,7
2.90	15 - 88 - 135	126	89	20	55	38	38	110	138	12	M6	4250	4,1
3.115	25 - 153 - 220	159	112	20	70	56,5	45	130	174	12	M6	3350	7,1
4.140	70 - 230 - 330	184	130	28	80	59	55	160	193,5	15	M8	2750	14,1
5.170	170 - 700 - 875	216	130	30	80	88	65	215	233	15	M8	2250	19,2

OTHER COUPLING MODELS



Model **DSF/TF/AP** with elastic jaw coupling **GAS** to accommodate high misalignments.



Model **DSF/TF/AP** with compact elastic coupling **GEC** for simple maintenance without removing the coupling.

NOTES





- ⊗ **Technical details:** data is relevant to the whole assembly (DSF/TF/AP/TAC).
- ⊗ **Technical details:** weights are relevant to the whole assembly with pilot bore (DSF/TF/AP/TAC).



- ⊙ Simple and precise calibration.
- ⊙ Transmission engagement / disengagement and torque limiter functions.
- ⊙ Reliability and repetitiveness of the calibration torque.
- ⊙ Torque variation whilst in motion, by pressure regulation.
- ⊙ Free rotation after the disengagement through a complete disconnection between the parts.
- ⊙ Low residual torque on disconnected parts.
- ⊙ Models available only with finished bore.

ON REQUEST

- ⊙ Complete with transmission element machined and assembled (plate wheel, pulley, gear, ...).
- ⊙ Can be supplied with various types of rigid/elastic couplings for in-line shafts transmission.
- ⊙ Possibility of shaft connection with finished bore, locking assembly or other systems.
- ⊙ Available in anti-corrosive version, with specific surface treatments.

	DSR/F/AP: Complete engagement-disengagement of the transmission, also for long periods	from 7 to 30000 Nm max bore \varnothing 120 mm	Page 34
	DSR/F/AP + GEC: compact coaxial connection for simple maintenance without being forced to remove the coupling	from 7 to 30000 Nm max bore \varnothing 180 mm	Page 35
	DSF/TF/AP: friction motion transmission as tensioner	from 3 to 875 Nm max bore \varnothing 65 mm	Page 36
	DSF/TF/AP/TAC: simple and economic coaxial shaft connection.	from 3 to 875 Nm max bore \varnothing 80 mm	Page 37

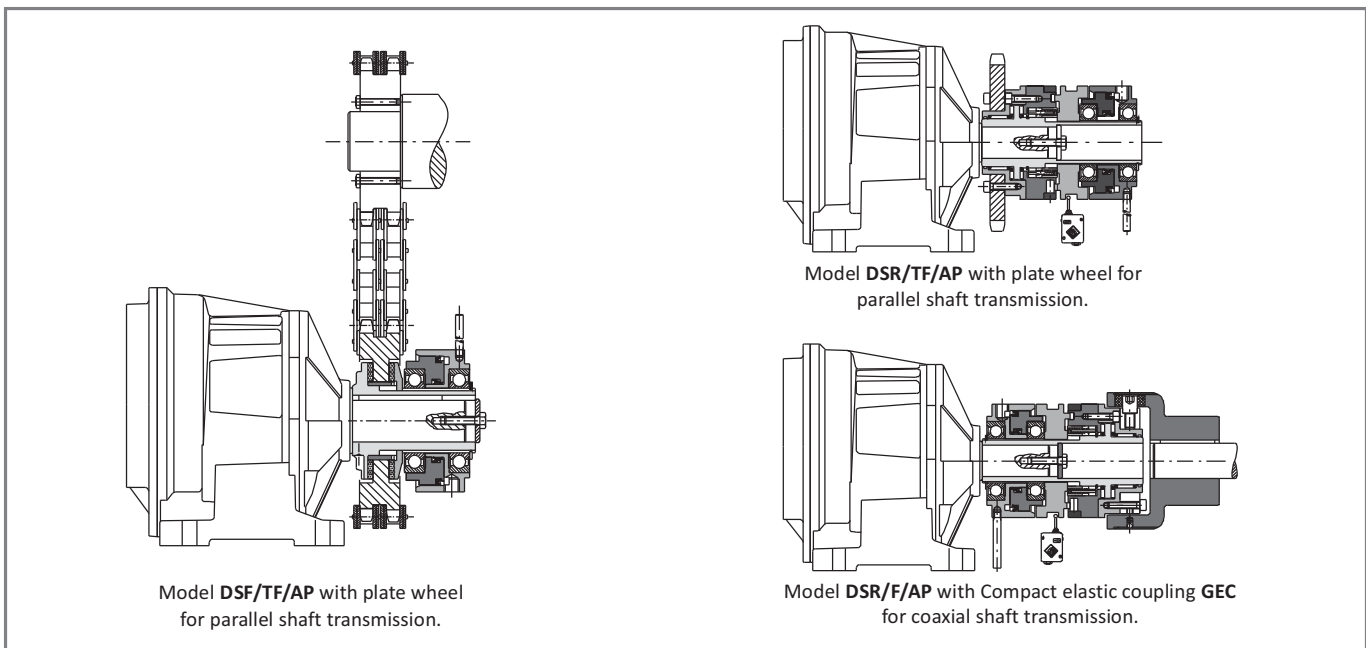
MAIN APPLICATION

- ⊙ Machines with work cycles of variable torque.
- ⊙ Test benches.
- ⊙ Coiler and uncoilers.
- ⊙ Transmission systems with varied products.
- ⊙ Cut format systems.

ADVANTAGES AND BENEFITS

- ⊙ Engage/disengage different product transmission lines.
- ⊙ Maintain tension of wire/film coils.
- ⊙ Regulate different torques depending on the change of the format.
- ⊙ Protect the motor gearbox against every form of overload.
- ⊙ When it's necessary for complete disengagement of the transmission.

ASSEMBLY EXAMPLES

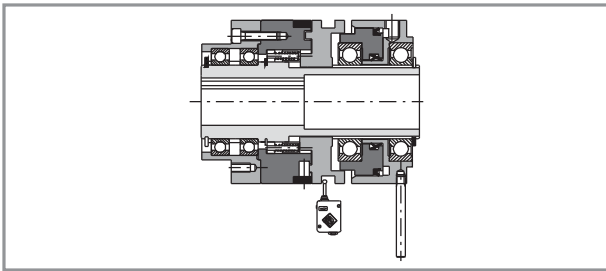


NOTE

⊗ Avoid rigid locking of the anti-rotating pin of the cylinder as it can cause imbalances during rotation

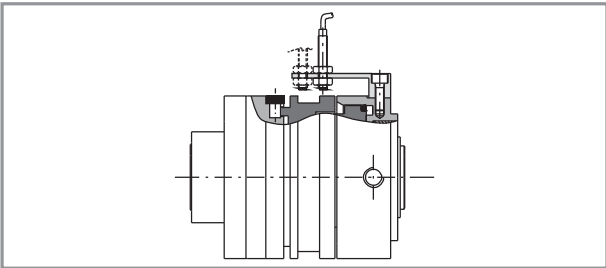
PNEUMATIC CLUTCH ".../AP": additional information

MODELS ON REQUEST:



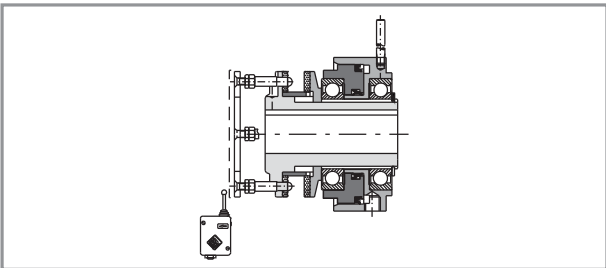
DSR/F/AP/CS

Version with ball bearings as an alternative to the rollers. Suitable for long rotation on disengagement.



.../PRX

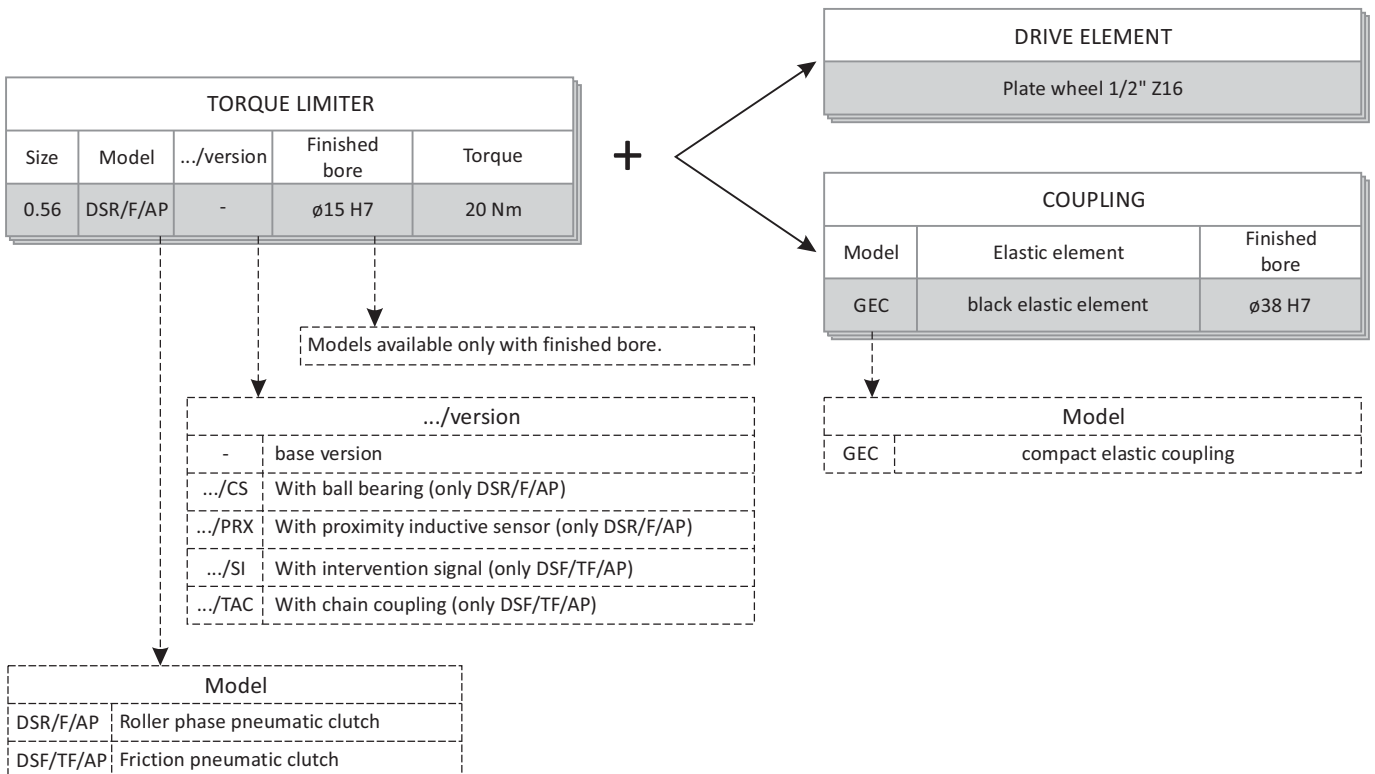
Version with proximity inductive sensor PRX M8x1, integrated into the DSR/F/AP. Compact and versatile solution, without adding equipment and/or external components.



DSF/TF/AP/SI

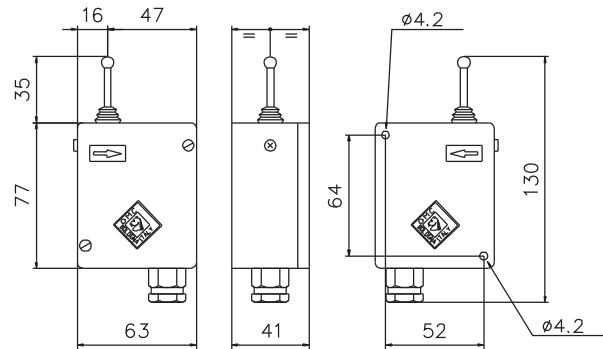
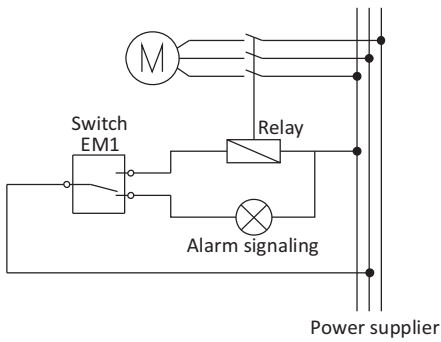
Friction clutch with intervention signal and further automatic re-engagement. This characteristic requires particular machining on the drive element, which has to be supplied together with the torque limiter.

ORDER EXAMPLE

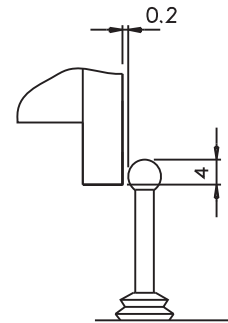


ELECTROMECHANICAL SWITCH "EM1"

- Die-cast aluminium box with rotection level **IP57** DIN 40050.
- Adjustment of the lever end position possible.
- Operation temperature range from -10°C to $+85^{\circ}\text{C}$.
- Three different options of voltage input: 15A-250VCA; 5A-24VCC; 0,2A-250VCC.
- 1 or 2 contacts available.
- Initial stroke 0,5 mm, Extra stroke: $4 \div 8$ mm depending on setting (possible in a range of 6 mm).

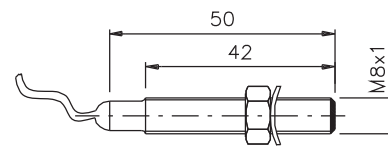
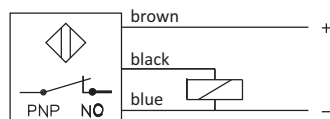
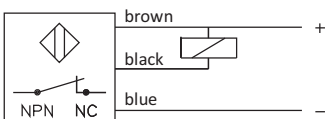
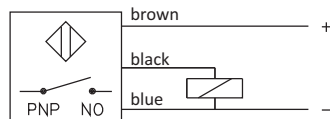
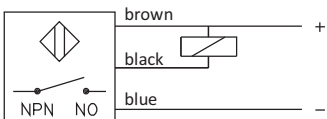


Weight: 350g



PROXIMITY SENSOR "PRX"

- Standard version: Brass cover with protection level **IP67** DIN 40050.
- Electric contact: $5 \div 24$ VdC.
- Frequency: 2000 Hz.
- Output: NPN (N.O.-N.C.) – PNP (N.O.-N.C.).
- Operating distance: max 1 mm.
- Cable length: 2 m (3x0,2).



Weight: 50g

