



**ComInTec**<sup>®</sup>  
Safety in Power Transmission

# CHAIN COUPLING

up to 8,000 Nm and 110 mm bore diameters



ED. 07/2021 Rev.01



- Download catalog
- Download instruction sheets

# GC

# GC - chain coupling: technical data



- Made in steel fully turned with standard treatment of phosphating.
- Negligible power loss, absorbed by the coupling.
- Simple manufacturing.
- Hardening of hub teeth.
- Optimum quality / price ratio.
- Maintenance without moving the hubs axially.

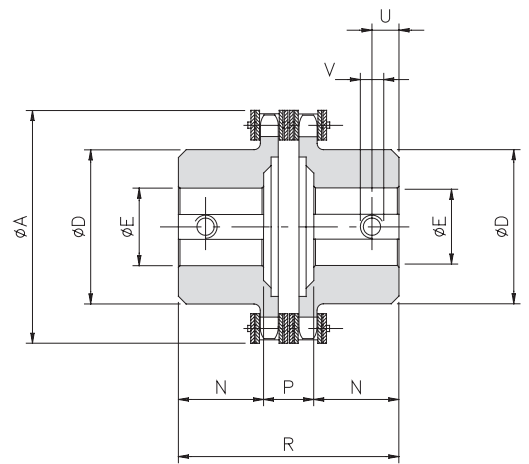
**ON REQUEST**

- Various hub connection type available on the hubs.
- Specific surface treatments.
- Customised versions for specific needs.
- Connection to the Torque limiter's (safety coupling) range possible.

The chain coupling GC consists of two steel sprockets, machined and connected by a double chain. The manufacture of the coupling completely in steel allows to use at high temperatures and reduce the loss of power between the driving and driven.

### DIMENSIONS

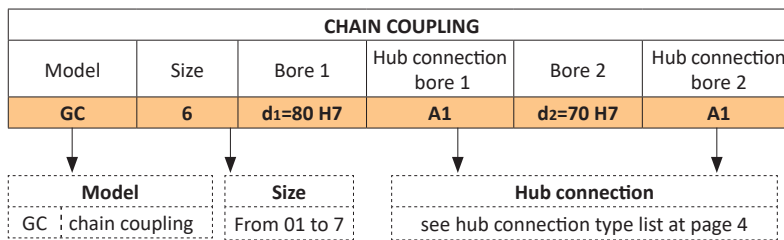
Size	A	D	E H7		N	P	R	U	V
			pilot	max					
01	45	25	8	12	9	13	31	4	M3
00	57	37	10	20	20	21	61	5	M3
0	75	50	12	28	19	23	61	8	M4
1	101	70	16	38	29	29	87	12	M6
2	126	89	20	55	38	32	108	12	M6
3	159	110	20	70	56	24,5	142,5	15	M8
4	183	130	28	80	59	37	155	15	M8
5	216	130	30	80	88	40	216	15	M8
6	291	150	40	90	103	46	252	25	M10
7	310	170	50	110	124	47	295	25	M10



### TECHNICAL CHARACTERISTICS

Size	Max torque [Nm]	Pitch (double chain) ISO-R 606	Weight [Kg]	Inertia [kgm²]	Max speed [Rpm]	Misalignments		
						Angular α [°]	Axial X [mm]	Radial K [mm]
01	140	3/8" x 7/32" z12	0,2	0,00002	6000	2°	1,50	0,20
00	190	3/8" x 7/32" z16	0,6	0,00009	5000		1,50	0,20
0	600	3/8" x 7/32" z22	1,0	0,00030	3800		1,50	0,20
1	700	1/2" x 5/16" z22	2,7	0,00148	2800		2,40	0,25
2	1400	3/4" x 7/16" z18	5,4	0,00497	2200		3,20	0,30
3	2500	1" x 17,02 z17	11,8	0,01817	1800		4,50	0,35
4	3200	1" x 17,02 z20	16,9	0,03530	1500		4,80	0,40
5	4000	1" x 17,02 z24	19,5	0,05333	1300		4,80	0,40
6	7000	1" 1/4 x 3/4" z26	42,5	0,19027	1000		6,30	0,50
7	8000	1" 1/4 x 3/4" z28	58,6	0,28643	900		6,30	0,50

### ORDER EXAMPLE



### NOTES

- The weights refer to the coupling with minimum bore.
- Inertias refer to the coupling with maximum bore.
- For choice and availability of different hub connection type see pages 4 and 5.